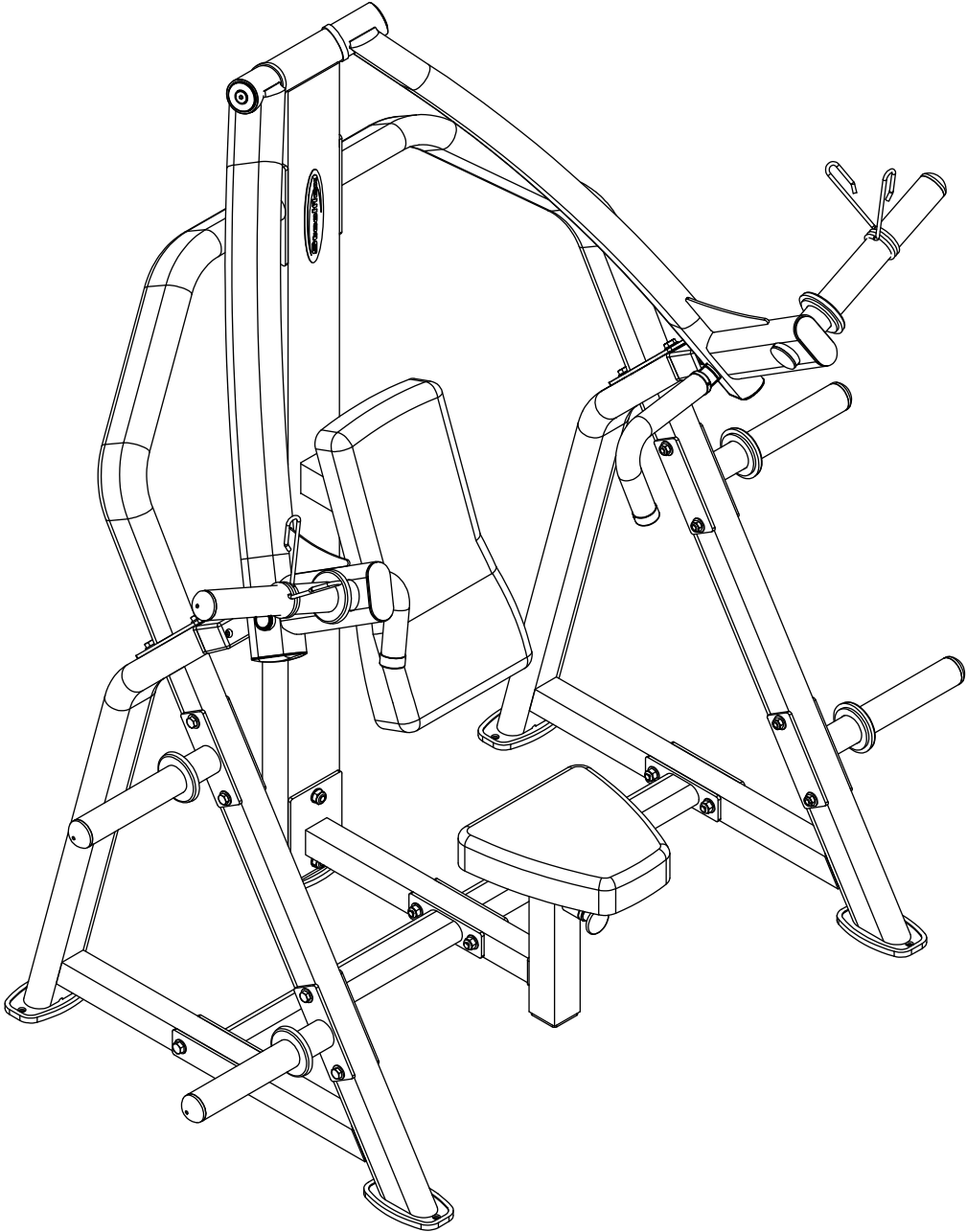




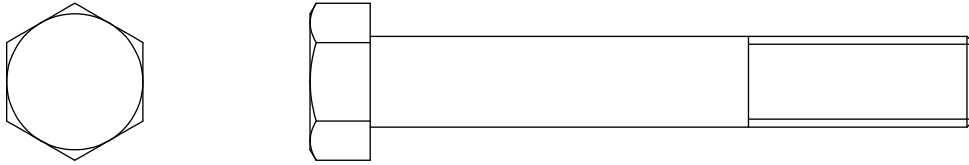
PSIP.1



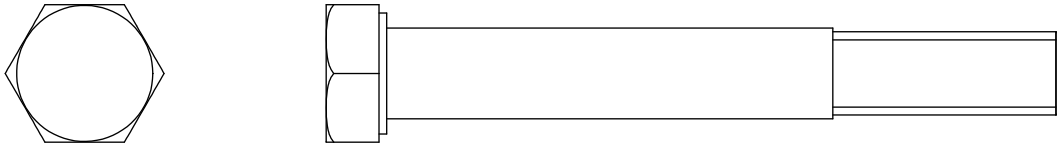
Assembly & Instructions
OWNER'S & MANUAL

PSIP.1 HARDWARE
(shown in actual size)

A1.M12X80L HEX HEAD SCREW...6PCS



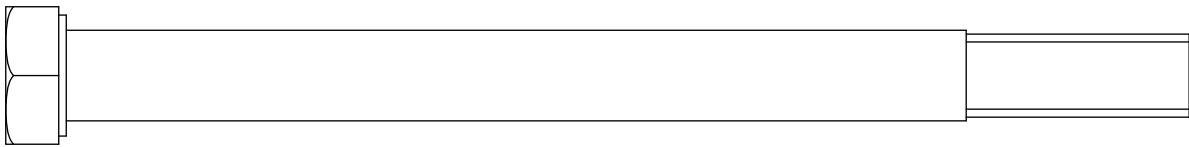
A2.M12X90L HEX HEAD SCREW...2PCS



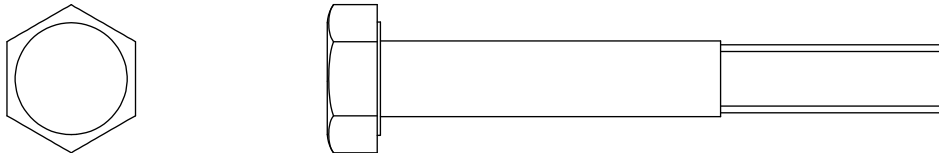
A3.M8X25L ALLEN SCREW...7PCS



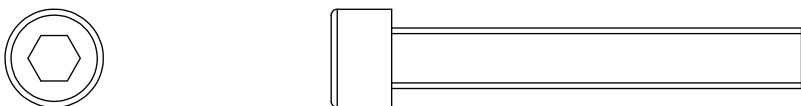
A4.M12X150L HEX HEAD SCREW...2PCS



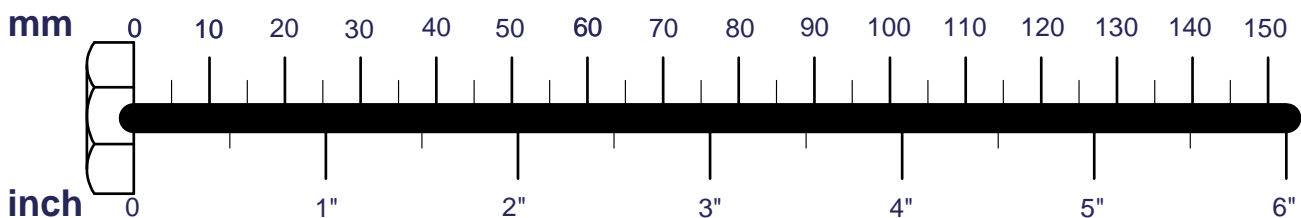
A5.M10X75L HEX HEAD SCREW...8PCS



A6.M8X55L SOCKET SCREW (FULL THREAD)...4PCS



A7.M10X20L THE CONE INNER SIX ANGLE SCREW...2PCS



PSIP.1 HARDWARE
(shown in actual size)

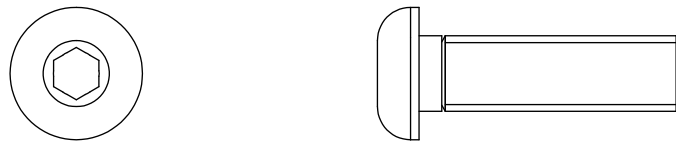
A8.M12X25L HEX HEAD SCREW...4PCS



A9.M5X5L GRUB SCREW ...8PCS (Pre-installed)

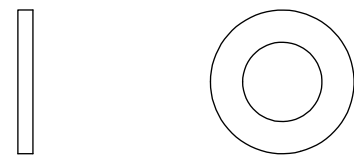
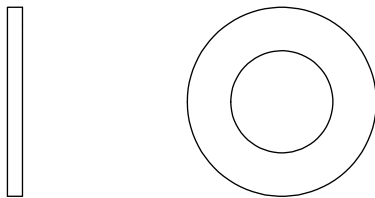


A10.M10X35L ALLEN SCREW...2PCS(Pre-installed)



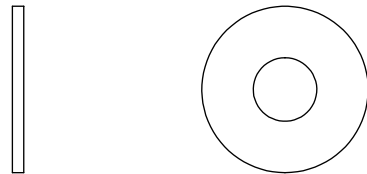
C1.M12 WASHER (Ø25)...24PCS

C2.M10 WASHER (Ø19)...16PCS



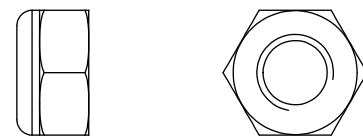
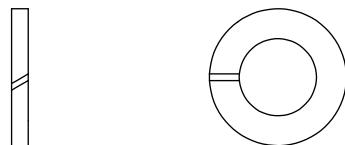
C3.M8 WASHER (Ø22)...7PCS

C4.M8 SPRING WASHER...7PCS



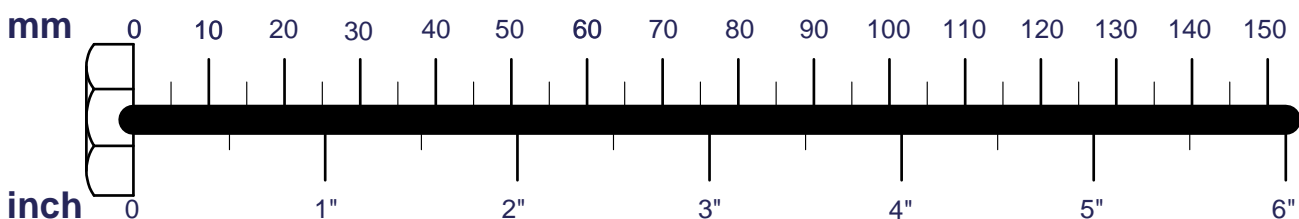
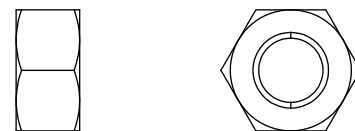
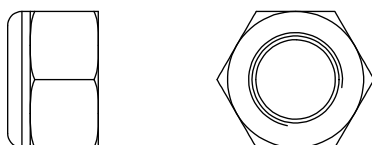
C5.M10 SPRING WASHER...2PCS

B1.M10 NYLON LOCK NUT...8PCS



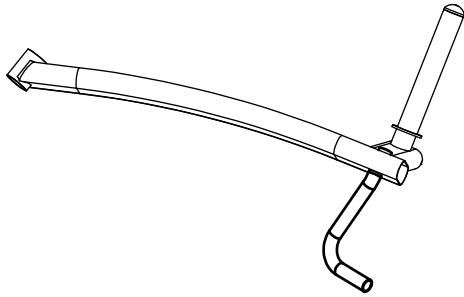
B2.M12 NYLON LOCK NUT...10PCS

B3.M10 NUT...2PCS (Pre-installed)

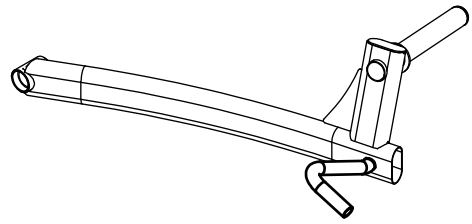


PSIP.1 HARDWARE
(shown in actual size)

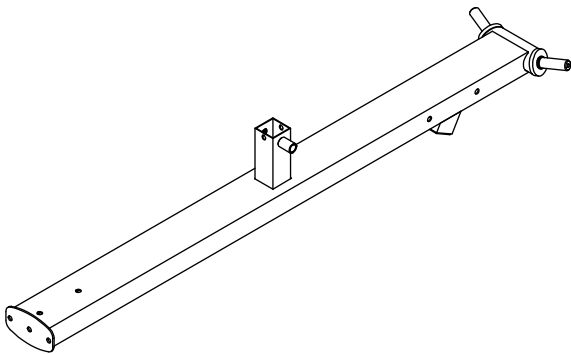
A[1PCS]



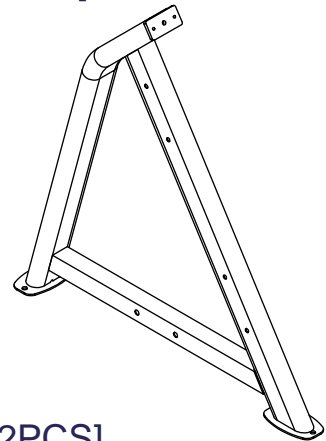
B[1PCS]



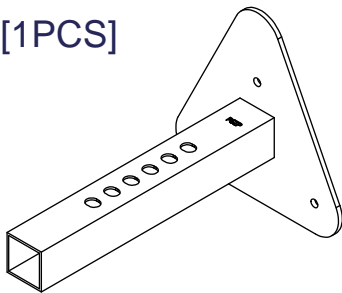
C[1PCS]



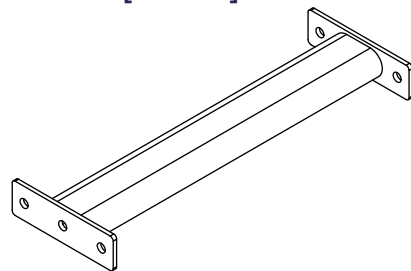
D[2PCS]



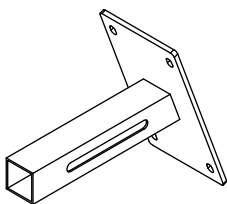
E[1PCS]



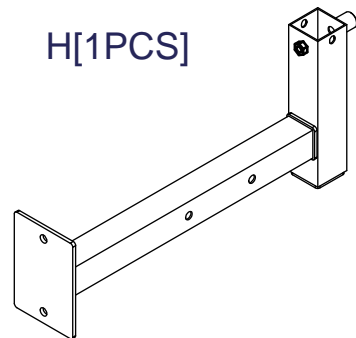
F[2PCS]



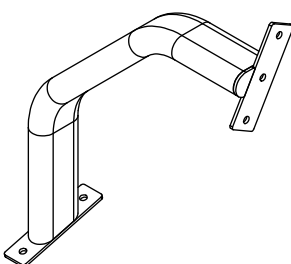
G[1PCS]



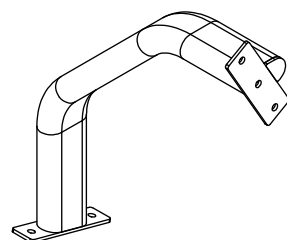
H[1PCS]



I[1PCS]

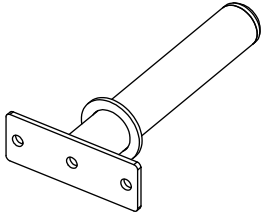


J[1PCS]

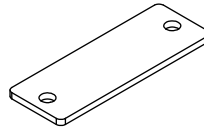


PSIP.1 HARDWARE
(shown in actual size)

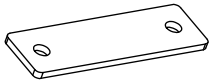
K[4PCS]
(6730-011)



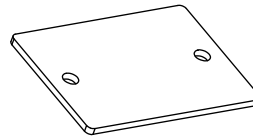
L(4PCS)
8313-235



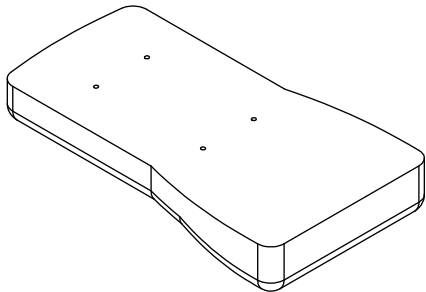
M(2PCS)
8312-091



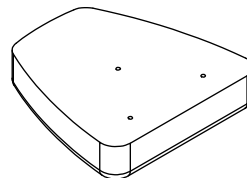
N(1PCS)
8313-250



O(1PCS)
9111-105



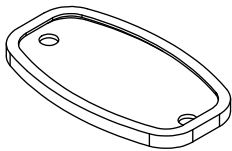
P(1PCS)
9121-116



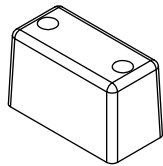
PSIP.1 HARDWARE
(shown in actual size)

D1.Rubber Insert (9310-076).....	[5PCS]
D2.Block Rubber (9310-077).....	[2PCS]
D3.Rubber Dount (9310-016).....	[6PCS]
D4.Elliptical Pipe Plug(9211-193).....	[2PCS]
D5.Round Plug(9211-020).....	[2PCS]
D6.Spring Clip(OC06)	[2PCS]
D7.End Cap(8130-131).....	[2PCS]
D9.Double Set Of(9211-047).....	[2PCS]
D10.Bearing (8510-037) (pre-installed).....	[4PCS]
D11.Chrome collar (8130-287) (pre-installed).....	[2PCS]
D12.Impregnated With Handle (9162-208)(pre-installed).....	[2PCS]
D13.Chrome collar (8890-048) (pre-installed).....	[2PCS]
D14.Pop Pin (8250-065G) (pre-installed).....	[2PCS]
D15.End Cover (9211-169)	[2PCS]

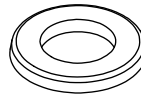
D1



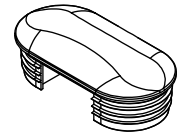
D2



D3



D4



D5



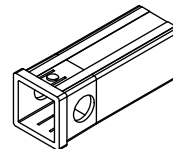
D6



D7



D9



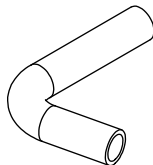
D10



D11



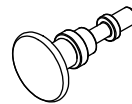
D12



D13

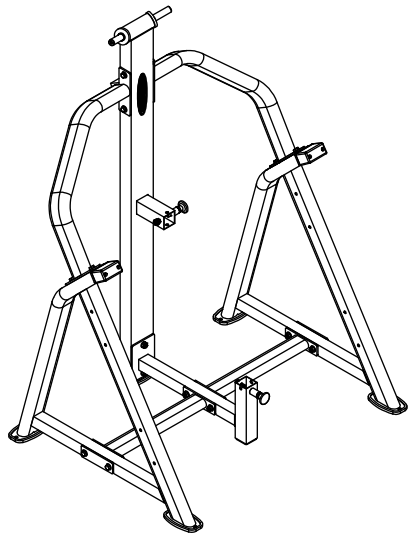


D14

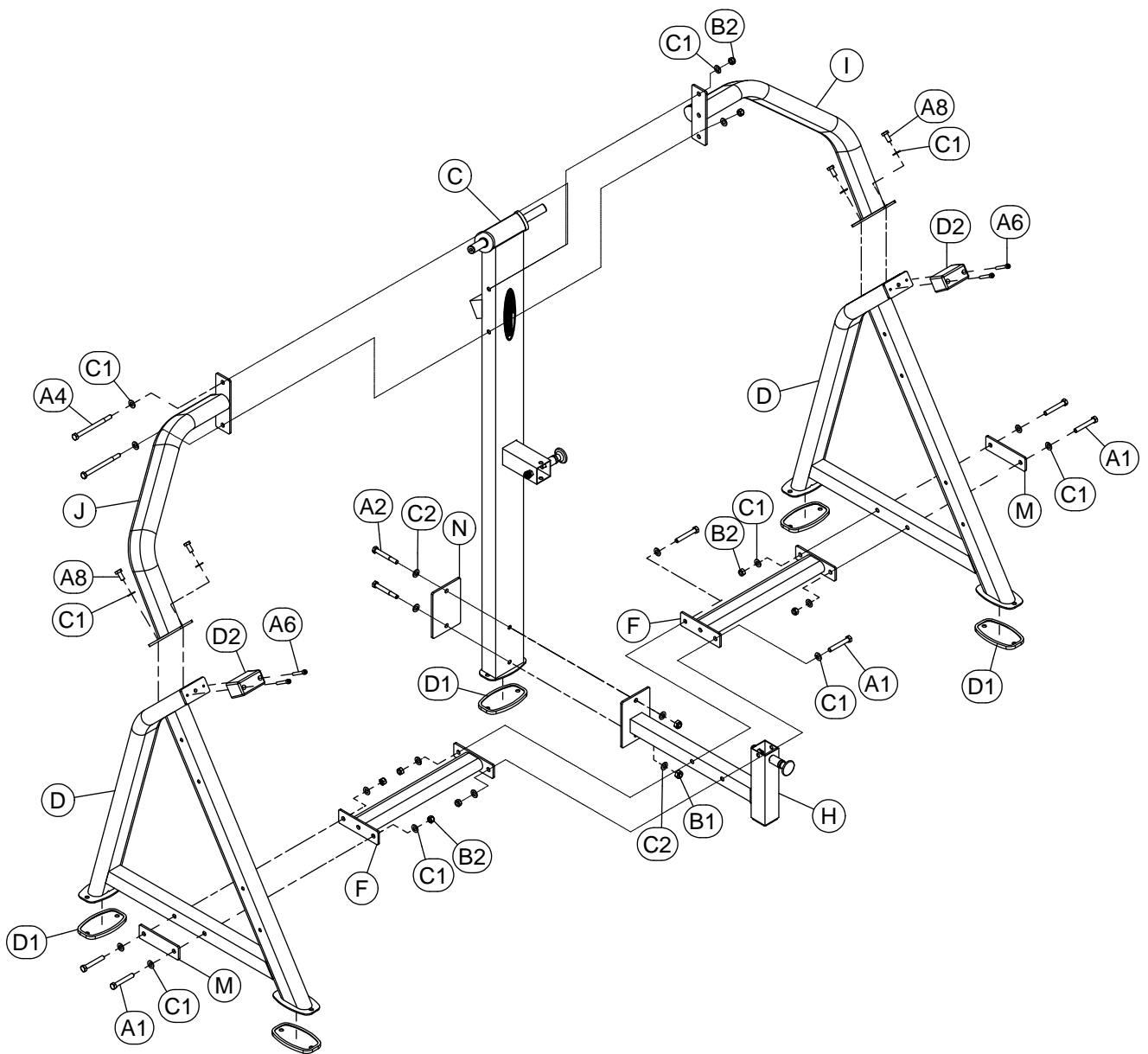


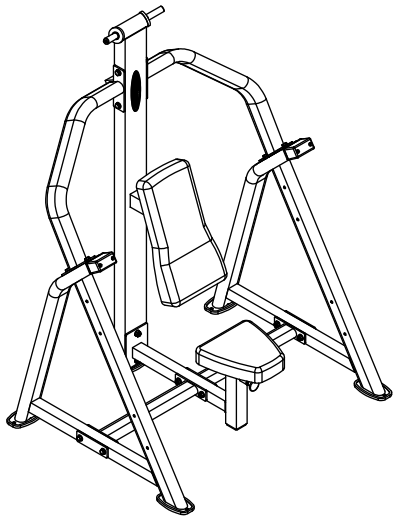
D15



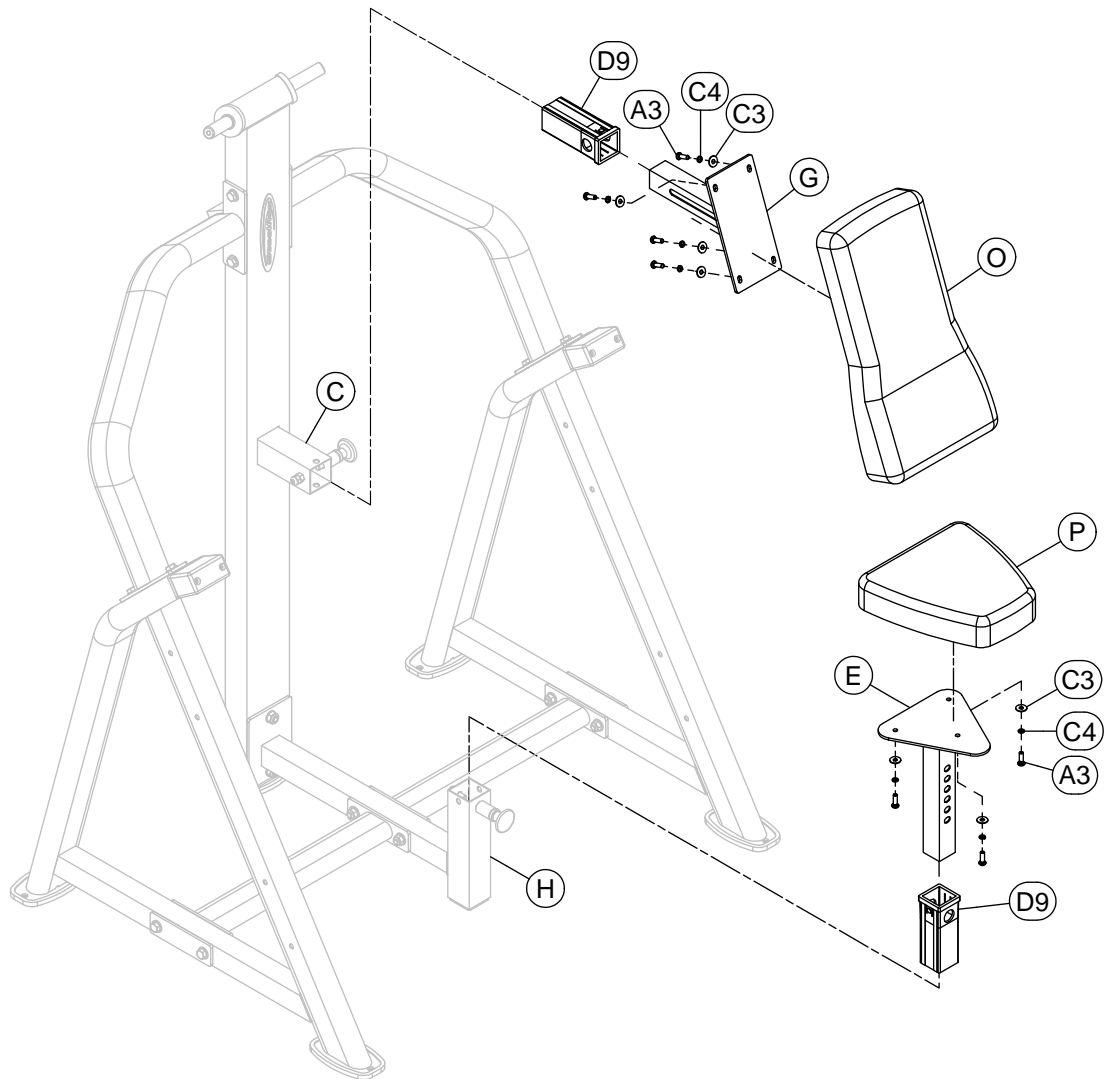


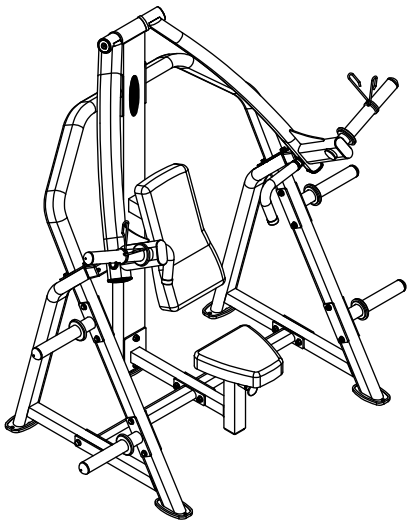
Above shows STEP 1 assembled and completed



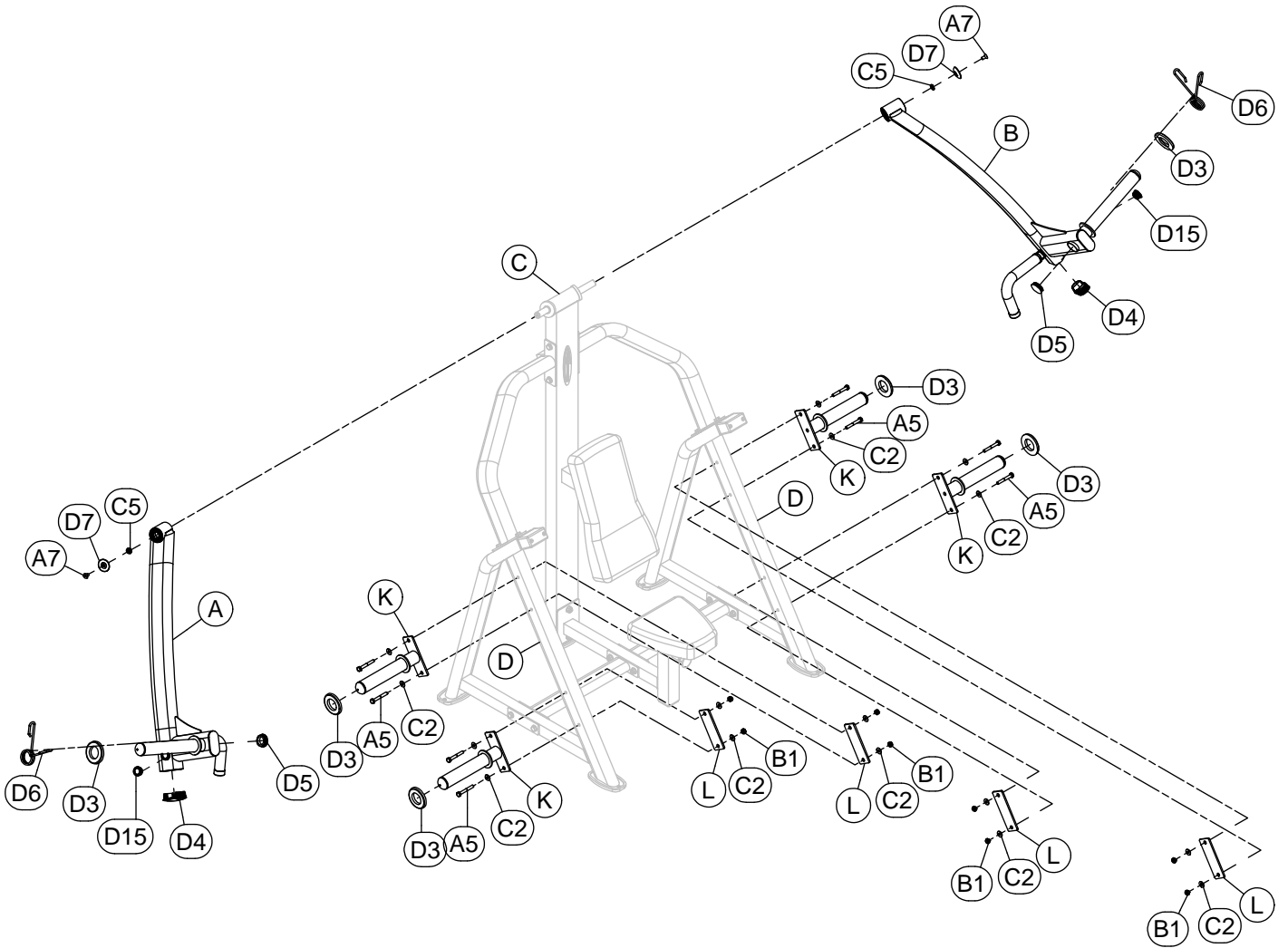


Above shows STEP 2 assembled and completed





Above shows STEP 3 assembled and completed



PSIP.1

